



FRAME

Towel Bar

3001

Also 3002, 3003

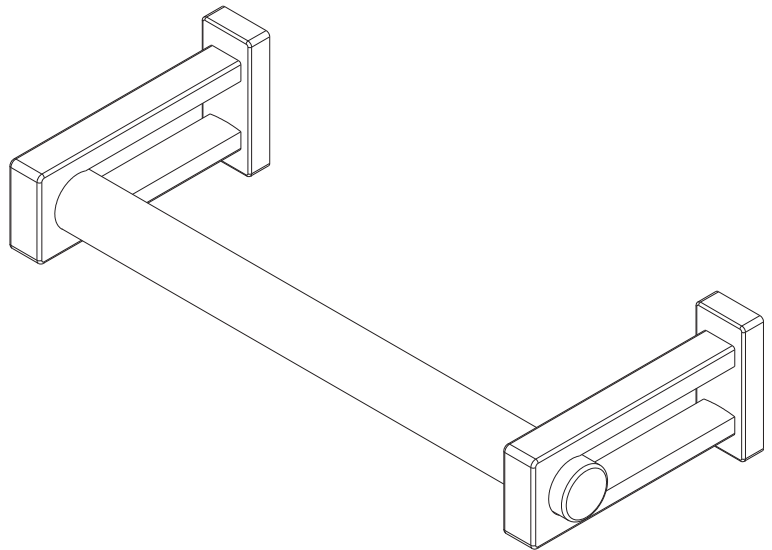
Features

- Solid brass construction
- Complements Frame product series

Codes / Standards Compliance

Meets or exceeds the following at date of manufacture:

- All applicable US Federal and State material regulations



Colors / Finishes

- SN: Satin Nickel
- PC: Polished Chrome

- Other: NA

Specified Model

Model	Description	Colors Finishes
3001	8" Towel Bar	<input type="checkbox"/> SN <input type="checkbox"/> PC
3002	18" Towel Bar	<input type="checkbox"/> SN <input type="checkbox"/> PC
3003	24" Towel Bar	<input type="checkbox"/> SN <input type="checkbox"/> PC

Product Specification: Add "Length Indicator and Color / Finish" suffix to Model number, below.

The Double Towel Bar shall be made of solid brass construction. Double Towel Bar shall complement motiv Frame product series. Double Towel Bar shall be motiv Model 3022/____.

3001

Product Dimensions *(units are in inches)*

