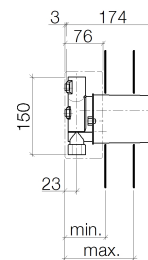
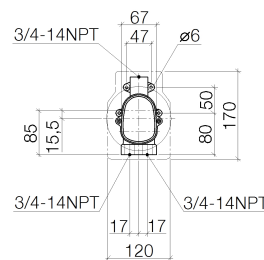




Product specifications

- Min. rough in depth 3-1/8"
- Max. rough in depth 6-1/8"

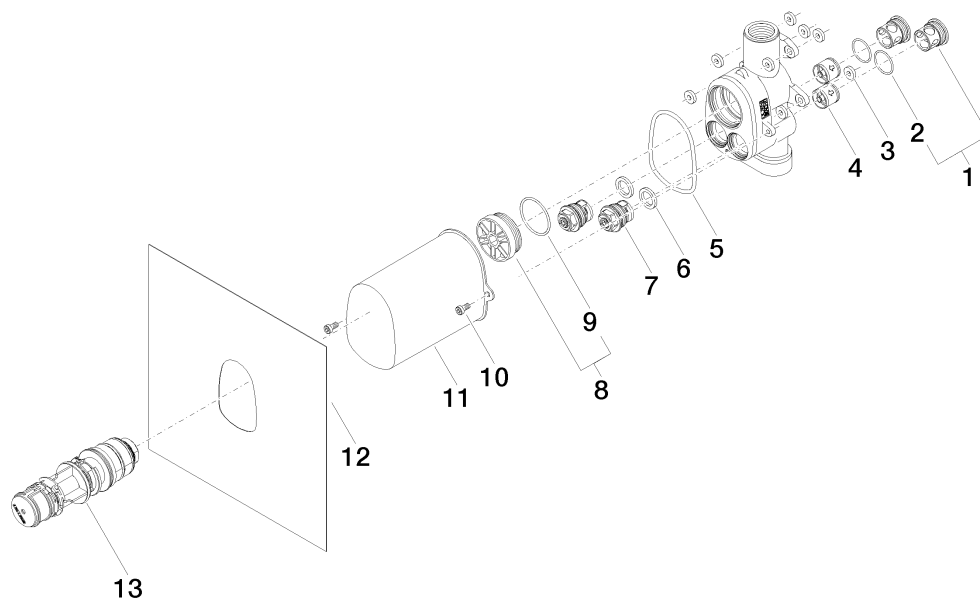


Source	min	max
Circle	80	110
Lulu	80	110
Madison	80	110
Madison Flair	80	110
TARA LOGIC	80	110
Mista.02	80	110
Soul	80	110
Square	80	110
Cult	80	110
L'Aura	80	110
<hr/>		
Cornici	85	110
Just	80	155
<hr/>		
LePleur	95	160
SUPERNOVA	95	180
Symétrica	95	180
DÉJÀ	95	190
Tara	95	160
<hr/>		
MEM	115	158
CL1	115	158

Surfaces

- 35517970-900010

Exploded assembly drawing



Order quantity

No.	Article number	Name	Installation quantity
1	0421340770090	nipple	2
2	09141009890	seal	2
3	0414050450090	set	1
4	09230104590	back-flow preventer	2
5	09141018990	seal	1
6	09140500290	seal	2
7	0429050310090	insert	2
8	0431201000090	plug	1
9	09141011190	seal	1
10	09303002790	screw	2
11	09210210390	cap	1
12	0414030730090	gasket kit	1
14	9015020650090	cartridge	1

Flow rate chart

