



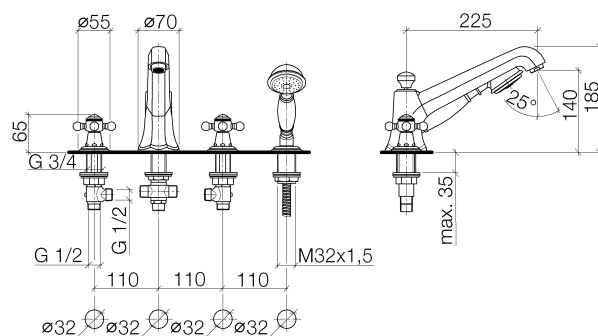
Product specifications

• 8-7/8" Projection

- Hand shower set: Standard spray
- Spout: Round aerated stream
- Hand shower set with anti-scale technology
- Integrated diverter
- Total height 7-1/4"
- Height to aerator/spout outlet 5-1/2"
- Valve hole diameter 1-1/4"
- Spout hole diameter 1-1/4"
- Hole diameter for hand shower set 1-1/4"
- Hand shower set with flange Ø 2-1/8"
- Valve with flange Ø 2-1/8"
- Metal shower hose 68-7/8" with anti-twist device
- Hand shower water flow rate limited to max. 2 gpm
- Spout flow rate max. 6.1 gpm

Internal backflow preventer.

NOTE: Local building codes may require the use of an anti-scald device. Please refer to remote pressure balance valve (35 910 970 90)

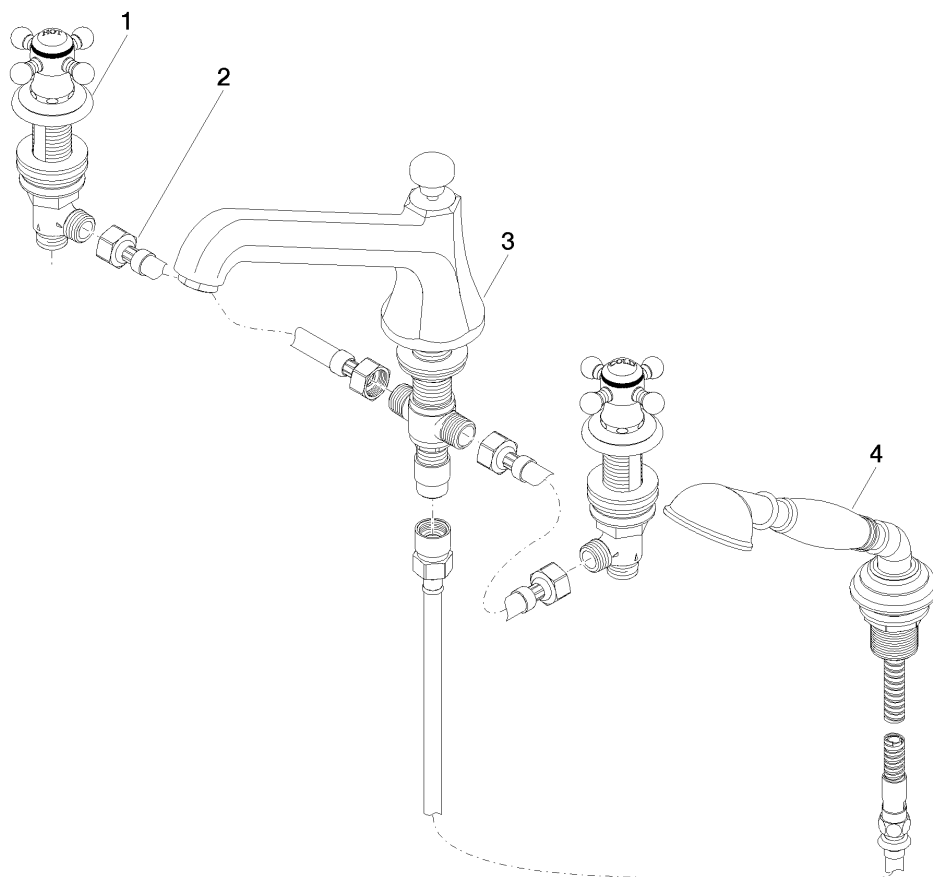




Surfaces

- chrome 27502360-00
- matt platinum 27502360-06
- platinum 27502360-08
- brass 27502360-09

Exploded assembly drawing



Madison Deck-mounted tub mixer, with hand shower set for deck-mounted tub installation

Article number: 27502360



Order quantity

No.	Article number	Name	Installation quantity
1	20000360ff	side panel	2
2	1250297090	hose	2
3	13502380ff	spout	1
4	27703360ff	shower set	1



Flow rate chart

