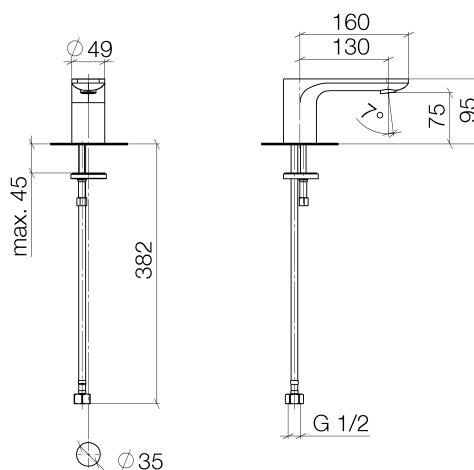




Product specifications

- **130 mm projection**
- fixed spout
- circular, air-enriched flow
- height of mixer 95 mm
- height up to aerator 75 mm
- hole diameter 35 mm
- 2x screw-in M 10 x 1 pressure hose, leak-tested
- 1/2" connection
- **max. flow 5.7 l/min**
- lead-free

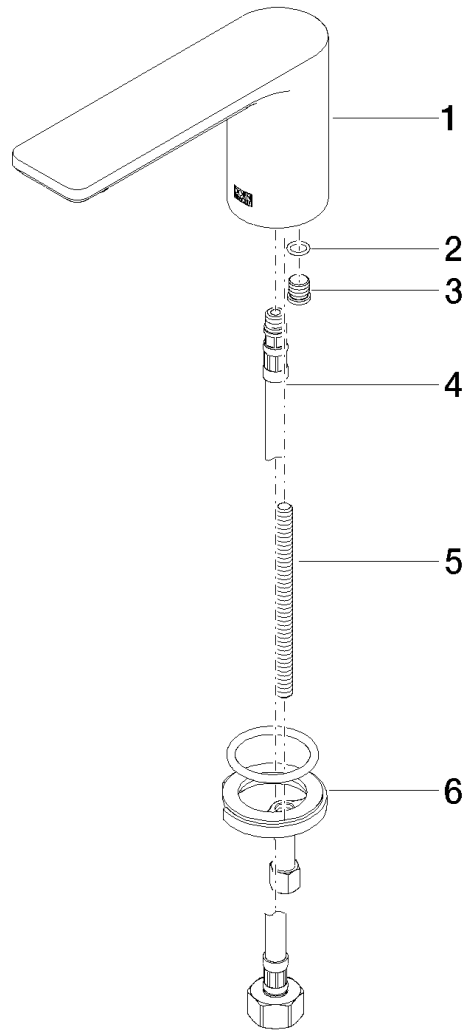
Available for delivery from the second quarter of 2017.



Surfaces

- chrome 13700845-00

Exploded assembly drawing





Order quantity

No.	Article number	Name	Installation quantity
1	90118401500ff	spout	1
2	09141006090	seal	1
3	09312006590	plug	1
4	0430040190090	hose	1
5	09311101290	pin	1
6	0430110387590	fixing set	1

Flow rate chart

