

Features

- Available in 28 finishes including 13 PVD finishes
- All brass construction
- 1/4" compression inlet
- Max flow rate: 1.8 gpm (6.8 L/min)
- Ceramic disc cartridge
- **Not** compatible with RO filter units

Codes/Standards Applicable

Product meets or exceeds the following:

- ASME A112.18.1/CSA B125.1
- NSF 61, NSF 372, CEC, & DOE
- Commonwealth of MA
- ADA compliant

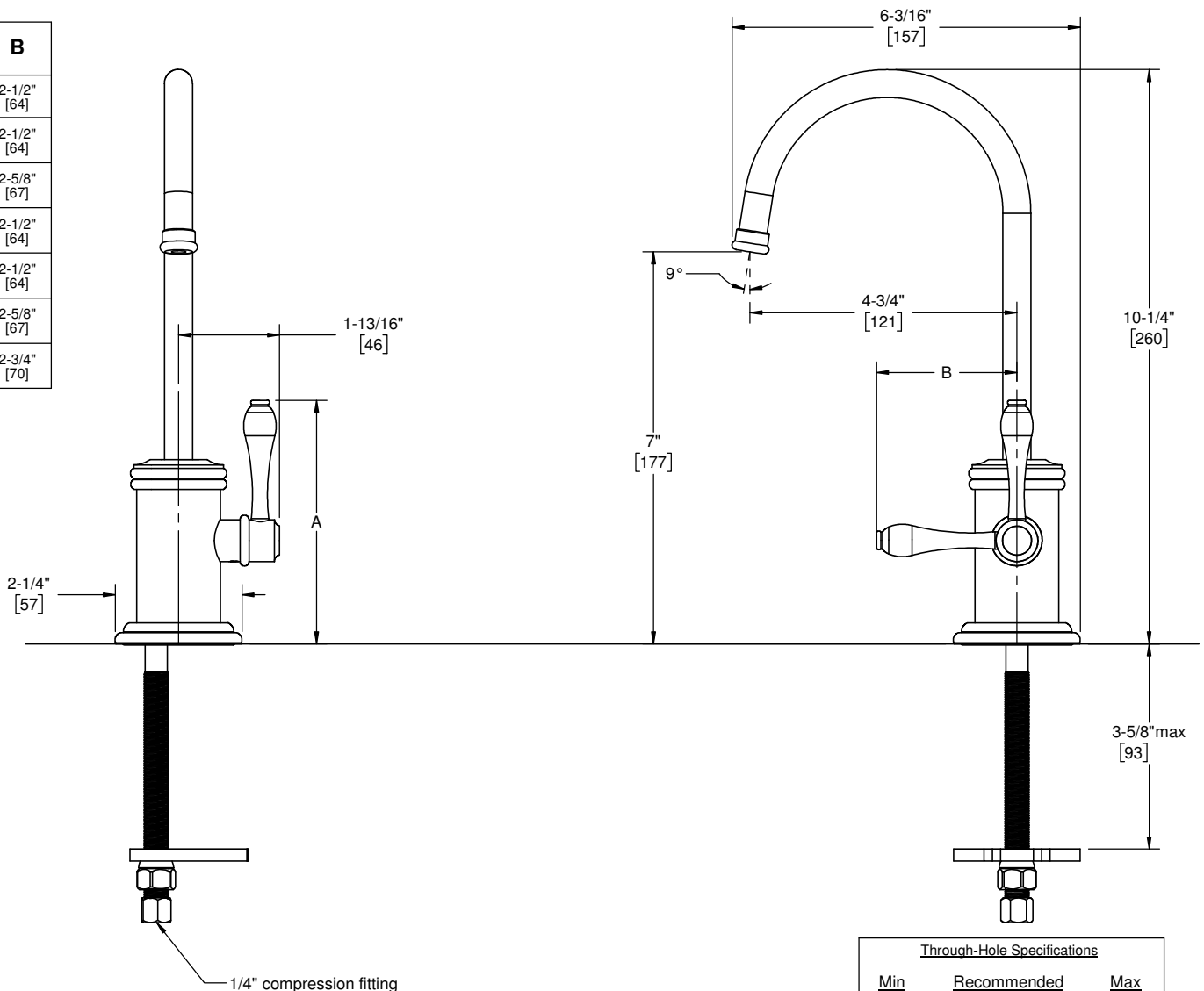


9620-K10-42 shown



XX = Series handle

Handle Style	A	B
33	4-3/8" [111]	2-1/2" [64]
35	4-3/8" [111]	2-1/2" [64]
40	4-7/16" [113]	2-5/8" [67]
42	4-5/16" [110]	2-1/2" [64]
48	4-3/8" [111]	2-1/2" [64]
55	4-7/16" [113]	2-5/8" [67]
64	4-5/8" [117]	2-3/4" [70]



Through-Hole Specifications		
Min	Recommended	Max
Ø 1/2" [13]	Ø 1" [25]	Ø 1-1/2" [38]

Specifications subject to change without notice

Dimensions are inches, rounded to 1/16"
[Dimensions in brackets are mm, rounded to 1mm]