



California Faucets®

Doheny™

C208, C208B

Roman Tub Set

Installation Instructions

CALIFORNIA FAUCETS RECOMMENDS THAT ALL PLUMBING PRODUCTS BE INSTALLED BY A LICENSED PROFESSIONAL

IMPORTANT: Read all instructions prior to installation and provide copy of instructions to consumer.

Operating Specifications:

Recommended Supply Pressure: 20 to 70 psi*†

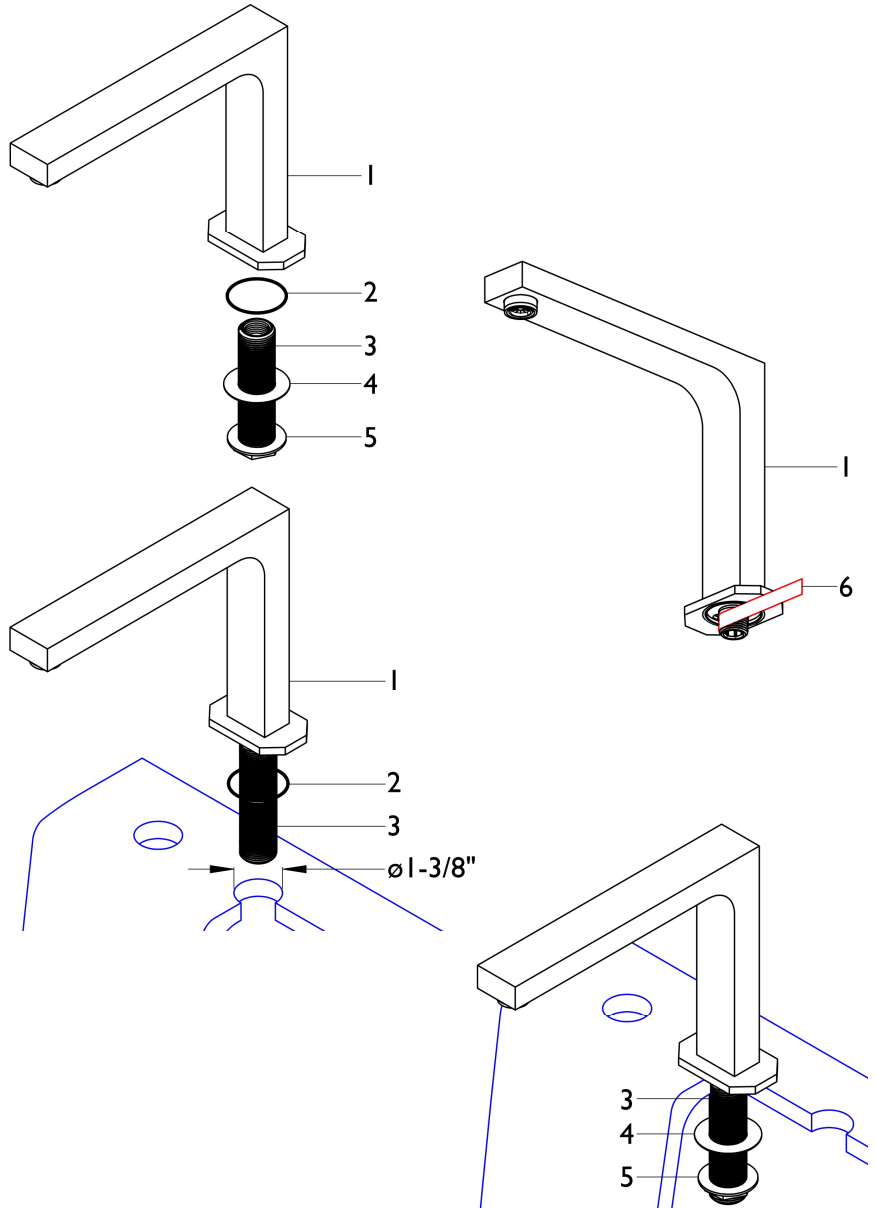
Maximum Flow Rate: 15 gpm

* Operating pressures between hot and cold supplies should vary no more than 30 psi.

† If water pressure exceeds 70 psi, install a Pressure-Reducing Valve (PRV).

I INSTALLING SPOUT

- Tub/Deck recommended hole size shall be $\varnothing 1-3/8''$
- Apply Teflon® tape (6) (not supplied) to threaded portion of SPOUT (1) and securely tighten NIPPLE (3) to SPOUT (1)
- Remove WASHER (4) and NUT (5) from NIPPLE (3)
- Place O-RING (2) onto SPOUT (1) and slide NIPPLE (3) through tub/deck hole
- From underside place WASHER (4) onto NIPPLE (3) and secure spout into place with NUT (5)

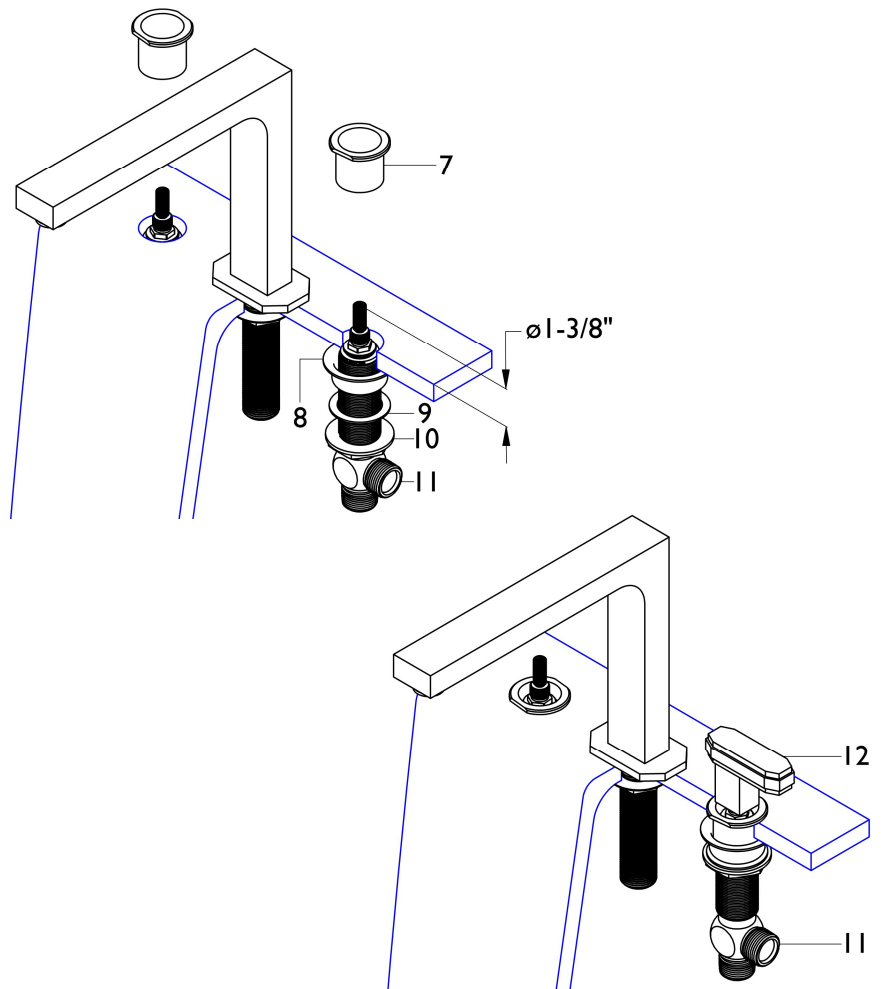


2 INSTALLING VALVE

- Tub/Deck recommended hole size shall be $\varnothing 1-3/8''$
- From underside insert VALVE (11) through appropriate tub/deck hole

IMPORTANT: VALVES (11) are labeled as follows:
BLUE is **COLD** left turning (counter-clockwise) closed
RED is **HOT** right-turning (clockwise) closed

- Position FLANGE NUT (10), WASHER (9), and CUP SPACER (8) so that VALVE (11) extends 1-3/8" above tub/deck surface
- Attach INVERTED NUT (7) to VALVE (11)
- Use HANDLE (12) to confirm proper VALVE (11) alignment, rotate VALVE (11) if necessary



3 INSTALLING HANDLE

NOTE: Return to Section 2 if valve is not aligned properly

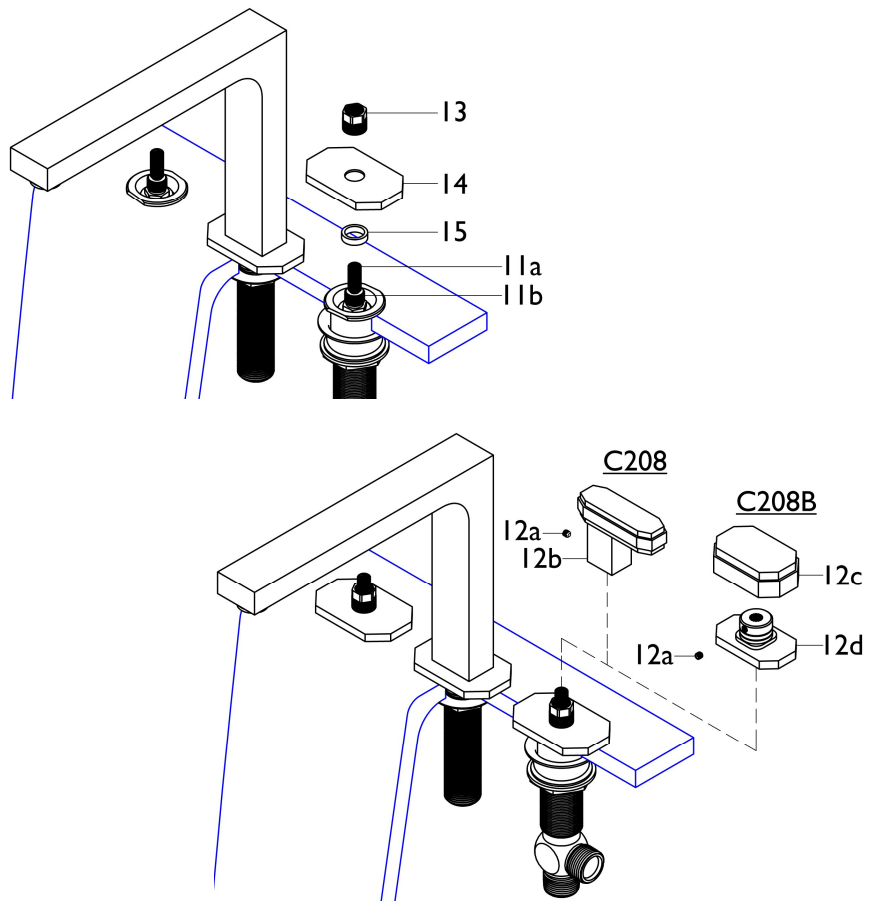
- Slide SPACER (15) onto valve THREADS (11b)
- Place handle BASE (14) onto valve STEM (11a)
- Tighten lock NUT (13) onto valve THREADS (11b)

C208 Lever Handle

- Remove SETSCREW (12a) from handle POST (12b)
- Slide POST (12b) onto valve STEM (11a) and tighten SETSCREW (12a) onto handle POST (12b)

C208B Block Handle

- Remove SETSCREW (12a) from block BOTTOM (12d)
- Slide block BOTTOM (12d) onto valve STEM (11a) and tighten SETSCREW (12a) onto block BOTTOM (12d)
- Place and press down block TOP (12c) onto block BOTTOM (12d)



4

INSTALLING SUPPLY LINES

- Must use rigid copper piping (not flex) for all connections between spout and valves
- California Faucets recommends that all installation types have access panel(s) to allow for maintenance and/or service

DISCLAIMER: To conform to many local codes and/or ordinances, it may be required that California Faucets Roman Tub sets be installed in conjunction with an ASSE 1070 approved tempering valve to reduce hot water supply to a safe temperature.

IMPORTANT: the INSTALLER is responsible to check local codes and/or ordinances, to confirm and verify proper maximum hot water temperature settings for all products installed.

WARNING: Water temperatures in excess of 110° F (43°C) are dangerous and may cause severe scalding and injury.

