

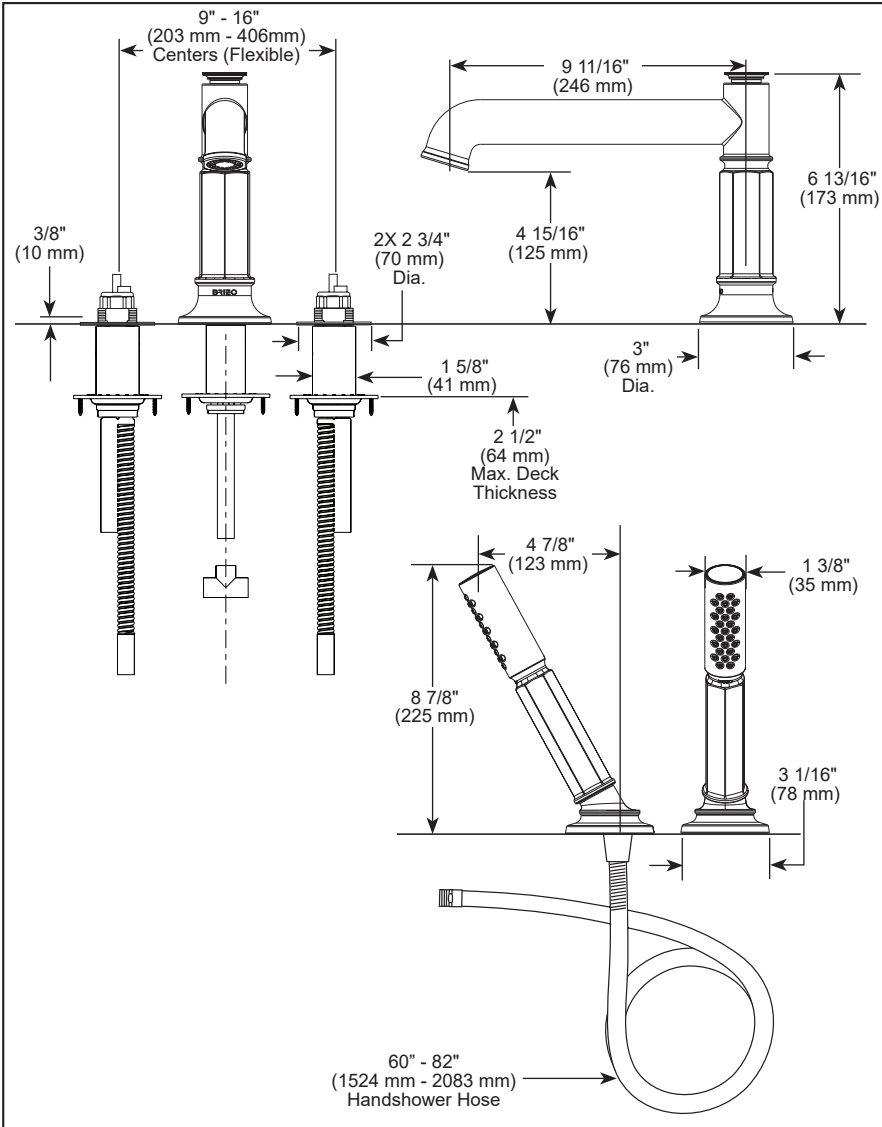
# BRIZO®

## ROMAN TUB FAUCET TRIM

- Invari™ Bath Collection
- Three Hole Installation (T67376-LHP)
- Four Hole Installation (T67476-LHP)

Submitted Model No.: \_\_\_\_\_

Specific Features: \_\_\_\_\_



### FEATURES:

- No set screw required. Simplifies installation and provides flush mount installation.

### STANDARD SPECIFICATIONS:

- Trim only for two handle Roman Tub faucet for concealed mounting
- Temperature and volume controlled with handles
- Rough-In kit required to complete installation, sold separately (R64707 for four hole and R62707 for three hole). There are separate specification sheets available for each rough-in kit.
- Hand shower includes double check valves for backflow prevention (T67498)
- Hand shower max flow rate 1.75 gpm @ 80 psi, 6.6 L/min @ 550 kPa
- 60" - 82" (1524 mm - 2083 mm) stretchable finished metal hose

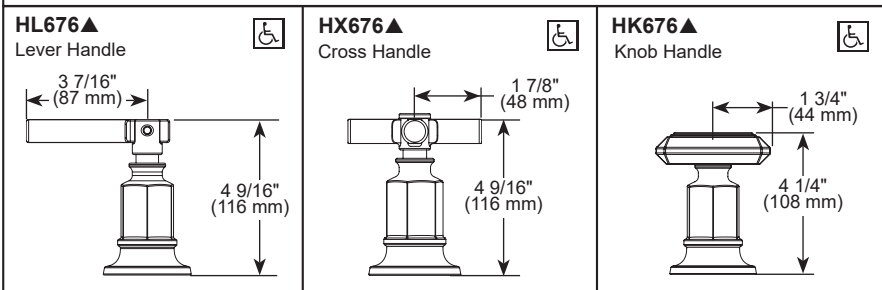
### WARRANTY

- Parts and Finish – Lifetime limited warranty; or for commercial purchasers, 10 years for multi-family residential (apartments and condominiums) and 5 years for all other commercial uses, in each case from the date of purchase.
- Electronic Parts and Batteries (if applicable) – 5 years from the date of purchase; or for commercial purchasers, 1 year from the date of purchase. No warranty is provided on batteries.



### COMPLIES WITH:

- ASME A112.18.1 / CSA B125.1
- ♿ Indicates compliance to ICC/ANSI A117.1- Valve control only
- EPA WaterSense® - Applies to T67476-LHP only



▲ Designate finish suffix

Brizo Kitchen & Bath Company reserves the right (1) to make changes in specifications and materials, and (2) to change or discontinue models, both without notice or obligation. Dimensions are for reference only. See current full-line price book or [www.brizo.com](http://www.brizo.com) for finish options and product availability.

BSP-B-T67376-LHP Rev. E

### Brizo Kitchen & Bath Company

55 E. 111th Street, Indianapolis, Indiana 46280  
350 South Edgeware Road, St. Thomas, ON N5P 4L1  
© 2020 Brizo Kitchen & Bath Company