

AXOR MyEdition

Single lever basin mixer for concealed installation wall-mounted with spout 221 mm

Surfaces: **Chrome/Mirror Glass** Article Number: **47060001**



Description

product features

- projection 221 mm
- plate of glass made of safety glass
- spray type: PowderRain
- flow rate at 3 bar: 4.5 l/min
- ceramic cartridge
- temperature limitation adjustable
- with isolated water conduction
- suitable for continuous flow water heaters
- connection type: basic set
- connection dimension: DN15
- handle can be positioned on the right or left, depends on the basic set installation
- ACS 18 ACC LY 594, valide jusqu'au 17.10.2023
- ADA/IAPMO/3016
- CEC/California/Watersaving
- cUPC/IAPMO/3016/Lavs/1,2gpm
- DOE/FTC
- WaterSense/IAPMO/5921/Lavs
- NSF372(LL)/Iapmo/6738-(No NSF Logo!)
- NSF61/IAPMO/N3016-(No NSF Logo!)
- TECQ/Texas Registered

Technology



AXOR MyEdition

Single lever basin mixer for concealed installation wall-mounted with spout 221 mm

Surfaces: **Chrome/Mirror Glass** Article Number: **47060001**



Product image

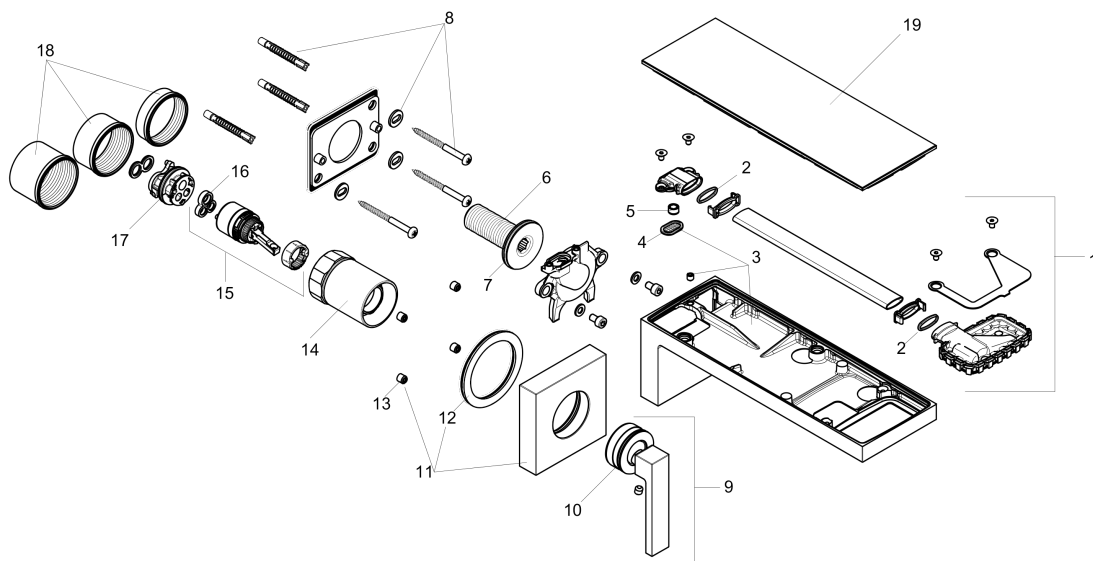


AXOR MyEdition
Single lever basin mixer for concealed installation wall-mounted with spout 221 mm
Surfaces: **Chrome/Mirror Glass** Article Number: **47060001**



Exploded Drawing

Year of production: >02/19



AXOR MyEdition

Single lever basin mixer for concealed installation wall-mounted with spout 221 mm

Surfaces: **Chrome/Mirror Glass** Article Number: **47060001**



Spare part list

Year of production: >02/19

Pos.	Description	Article Number	PC	PU
1	spray former	93385000	0	1
2	O-ring 13x1,5	98475000	0	1
3	spout 220 mm	93370000	0	1
4	filter packing	93374000	0	1
5	flow limiter (5 l/min)	95311000	0	1
6	connecting thread G½	93387000	0	1
7	O-ring 36x2	98156000	0	1
8	mounting set	96179000	0	1
9	handle	93372000	0	1
10	O-ring 33x1,5	98164000	0	1
11	escutcheon for handle	93371000	0	1
12	washer	97600000	0	1
13	screw cover	96762000	0	1
14	sleeve	93373000	0	1
15	cartridge, assy	92900000	0	1
16	seal	93383000	0	1
17	O-ring 26x2	98147000	0	1
18	fixing set	97971000	0	1
19	cover	47901000	0	1
a	extension 25 mm	13586000	0	1
b	installation plate	93407000	0	1