

STUDIO® CONCEALED TRAPWAY DUAL FLUSH  
RIGHT HEIGHT® ELONGATED TOILET WITH SEAT

- ❑ **2794.204** Right Height® Elongated Bowl
  - **LXP (Luxury Performance) Toilet in 020 White**
  - Combination dual flush bowl and tank, with seat
  - 12" (305mm) rough-in
  - Siphon action jetted bowl with smooth-sided, concealed trapway
  - High efficiency, low consumption Full Flush 1.6gpf/6.0Lpf Conserving Flush 1.1 gpf/4.1Lpf, utilizes 21% less water
  - **Meets EPA WaterSense® Criteria**
  - EverClean® surface inhibits the growth of stain- and odor-causing bacteria, mold, and mildew on the surface
  - PowerWash® rim scrubs bowl with each flush
  - 16-1/2" (419mm) rim height
  - Fully-glazed 2-1/8" trapway
  - Oversized 3" flush valve
  - Generous 9" x 8" water surface area
  - Includes Duroplast slow close seat and cover with concealed seat ring and easy lift-off feature for simple removal and reattachment for cleaning
  - Chrome-plated top mounted push button actuator
  - 2 color matched bolt hole covers
  - 5 year warranty on entire toilet
  - **Design coordinates with Studio® and Boulevard® lavatories**



SEE REVERSE FOR ROUGHING-IN DIMENSIONS

- ❑ **3075.120** Right Height® Elongated bowl

**Nominal Dimensions:**  
769 x 400 x 780mm (30-1/4" x 15-3/4" x 30-3/4")  
Fixture only, seat and supply by others

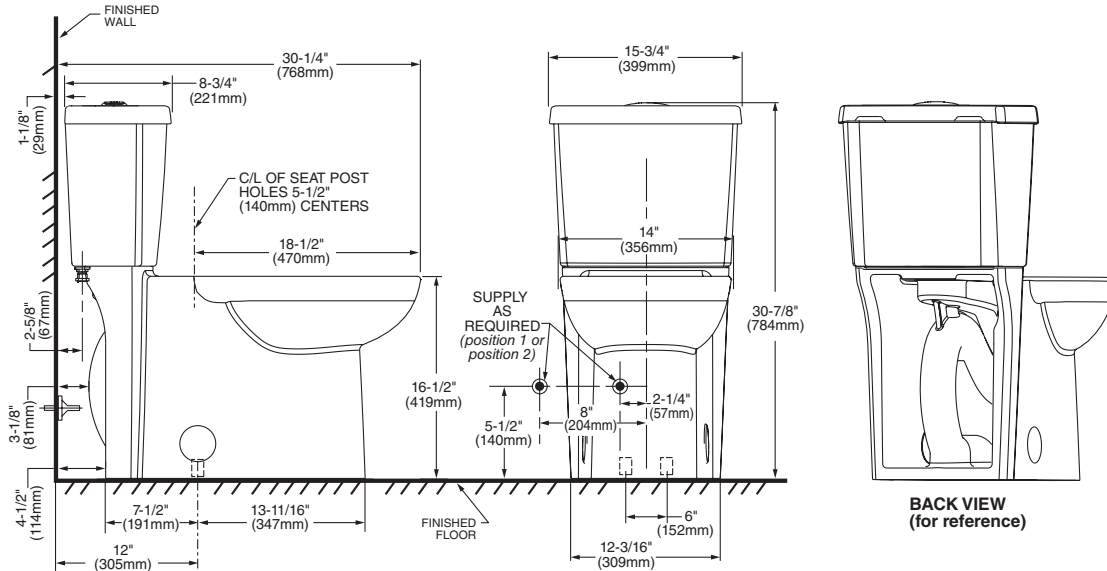
- ❑ **4000.204** Tank, 1.1/1.6 gpf Dual Flush 12" rough-in complete with coupling components and tank trim
- ❑ **5025A.65G** Preferred Seat: Telescoping Elongated Luxury Seat

**Compliance Certifications -  
Meets or Exceeds the Following Specifications:**

- ASME A112.19.2/CSA B45.1-08 for Vitreous China Fixtures



**STUDIO® CONCEALED TRAPWAY DUAL FLUSH  
RIGHT HEIGHT® ELONGATED TOILET WITH SEAT**  
VITREOUS CHINA



**IMPORTANT:** Water supply on the wall is required at 2-1/4" or 8" from centerline of the toilet (see rough-in). First suggested position is hidden behind the toilet. The geometry of the toilet gives space for this installation. The second suggested position is next to the toilet. Between these two positions, the space for the supply between wall and toilet is limited to 4-1/2". In this case, check your supply and hose dimensions.

**NOTES:**

THIS TOILET IS DESIGNED TO ROUGH-IN AT A MINIMUM DIMENSION OF 305MM (12") FROM FINISHED WALL TO C/L OF OUTLET. SUPPLY NOT INCLUDED WITH FIXTURE AND MUST BE ORDERED SEPARATELY.  
\* DIMENSION SHOWN FOR LOCATION OF SUPPLY IS SUGGESTED.

**IMPORTANT:** Dimensions of fixtures are nominal and may vary within the range of tolerances established by ANSI Standard A112.19.2. These measurements are subject to change or cancellation. No responsibility is assumed for use of superseded or voided pages.