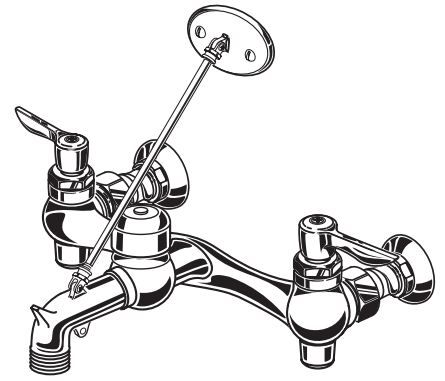


American Standard

Installation Instructions

Exposed Wall Mount Sink Faucet with Top Brace

8344.012.002
8344.012.004



Certified to comply with ANSI A112.18.1M
M965049 Rev. 1.3

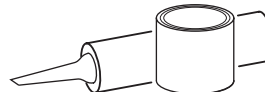
RECOMMENDED TOOLS



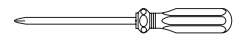
Channel Locks



Adjustable Wrench

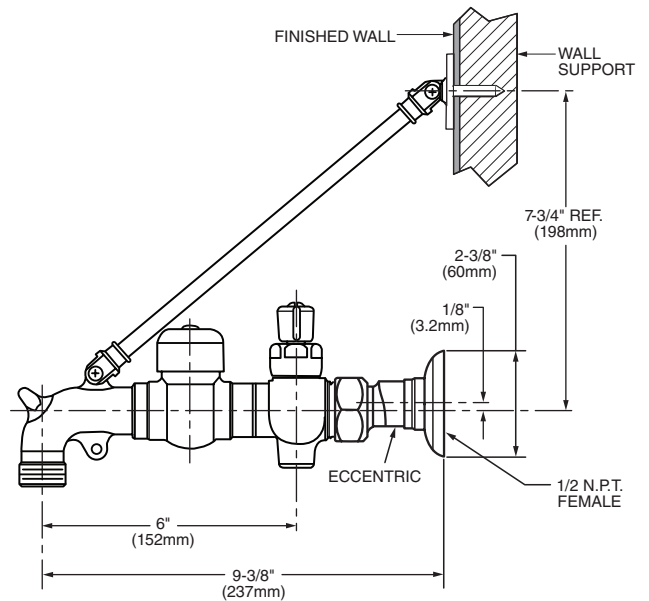
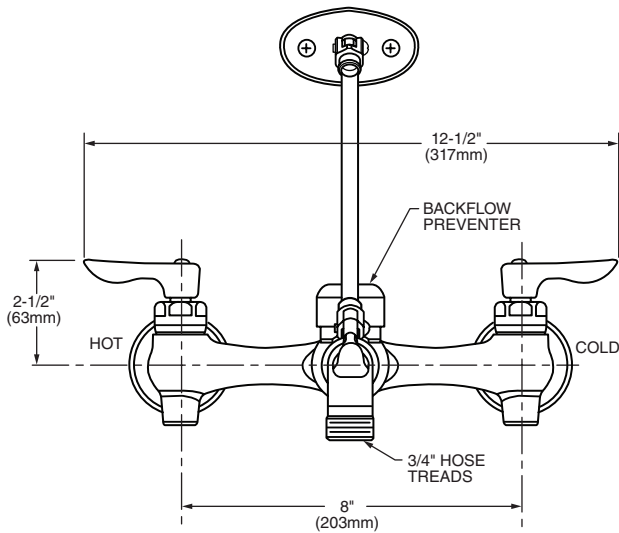


Plumbers' Putty or Caulking



Phillips Screwdriver

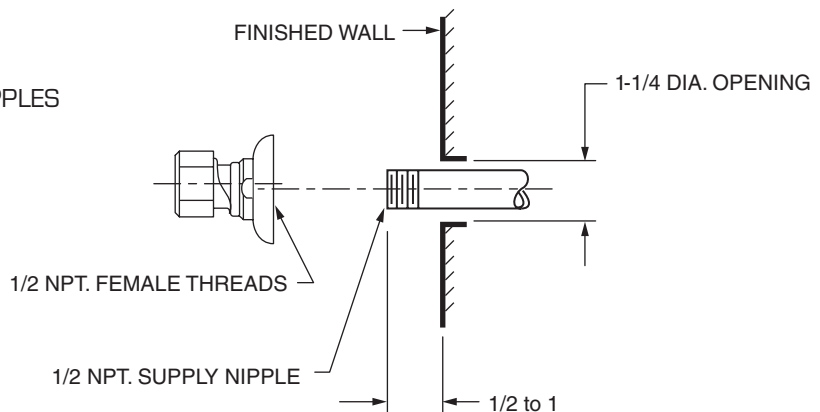
ROUGHING-IN DIMENSIONS



1

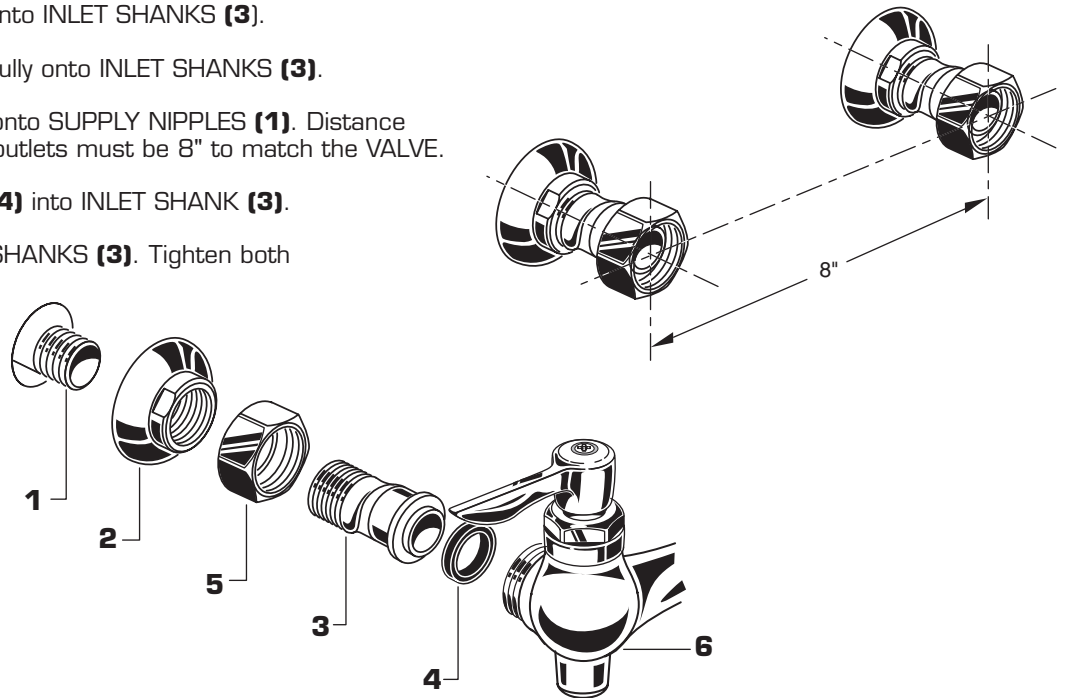
ROUGH-IN

- Prepare water supply lines per "Roughing-in Dimensions". Install 1/2" NPT. SUPPLY NIPPLES



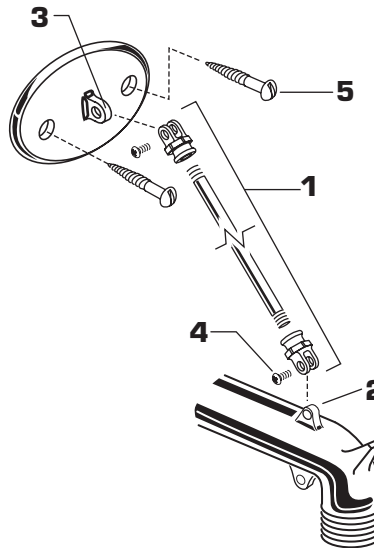
2 FINISH INSTALLATION

- Slide COUPLING NUTS (5) onto INLET SHANKS (3).
- Thread ESCUTCHEONS (2) fully onto INLET SHANKS (3).
- Thread INLET SHANKS (3) onto SUPPLY NIPPLES (1). Distance between INLET SHANK (3) outlets must be 8" to match the VALVE.
- Insert RUBBER WASHERS (4) into INLET SHANK (3).
- Attach VALVE (6) to INLET SHANKS (3). Tighten both COUPLING NUTS (5) firmly.



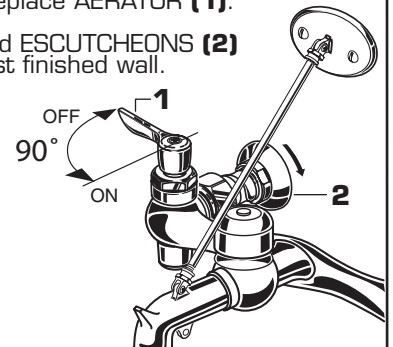
3 ATTACH SPOUT BRACE

- Attach SPOUT BRACE (1) to SPOUT (2) and WALL MOUNTING PLATE (3) with the SPOUT BRACE SCREWS (4) provided.
- IF WALL MOUNTING PLATE (3) is not fastened to a wall support within the wall, use wall anchors with MOUNTING SCREWS (5).
- Mark mounting hole location on wall and fasten MOUNTING PLATE (3) to wall with MOUNTING SCREWS (5) provided.



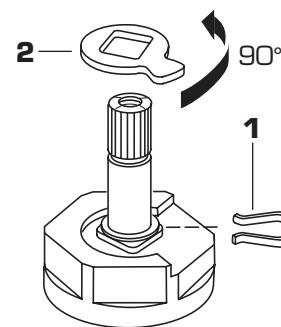
4 TEST FAUCET

- Turn HANDLES TO **OFF** POSITION.
- Slowly turn water supplies on and check all connections for leaks.
- Operate HANDLES to flush water lines thoroughly.
- Turn HANDLES to **OFF** position and replace AERATOR (1).
- Thread ESCUTCHEONS (2) against finished wall.



5 SERVICE

- To change direction of handle rotation, proceed as follows:
 - Turn HANDLE to OFF position.
 - Remove HANDLE SCREW and HANDLE.
 - Remove SPRING CLIP (1).
 - Lift STOP WASHER (2), turn 90° and replace.
 - Replace SPRING CLIP (1).
 - Replace HANDLE and HANDLE SCREW.
- If spout drips, operate handles several times from OFF to ON position. Do not force - handles turn only 90°.



CARE INSTRUCTIONS:

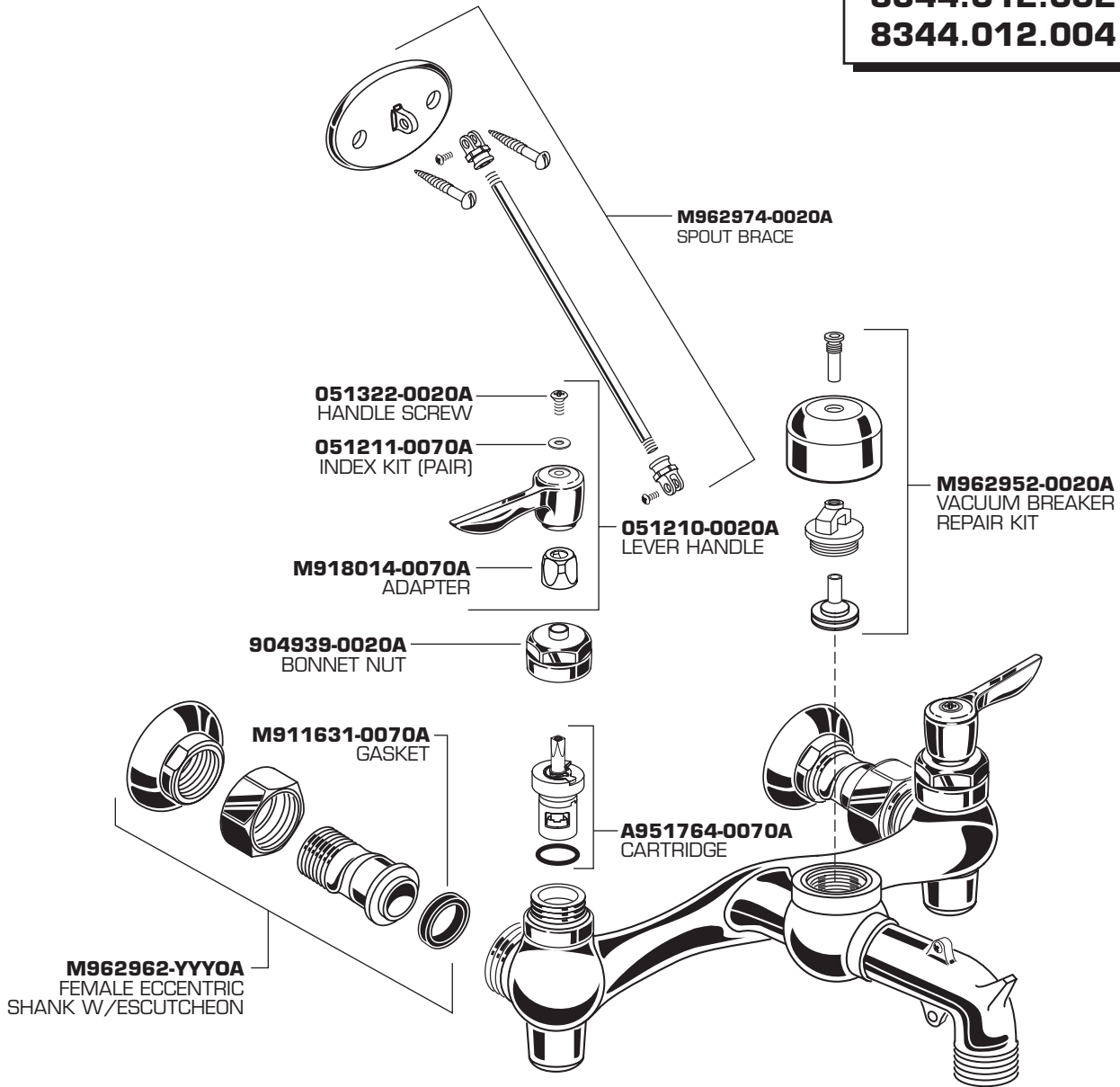
DO: SIMPLY RINSE THE PRODUCT CLEAN WITH CLEAR WATER. DRY WITH A SOFT COTTON FLANNEL CLOTH.
DO NOT: DO NOT CLEAN THE PRODUCT WITH SOAPS, ACID, POLISH, ABRASIVES, HARSH CLEANERS, OR A CLOTH WITH A COARSE SURFACE.

American Standard

Exposed Wall Mount Sink Faucet with Top Brace

MODEL NUMBER

8344.012.002
8344.012.004



Replace the "YYY" with appropriate finish code

CHROME	002
ROUGH CHROME	004



HOT LINE FOR HELP

For toll-free information and answers to your questions, call:
1-800-442-1902
Weekdays 8:00 a.m. to 6:00 p.m. EST
IN CANADA 1-800-387-0369 (TORONTO 1-905-306-1093)
Weekdays 8:00 a.m. to 7:00 p.m. EST
IN MEXICO 01-800-839-1200

Product names listed herein are trademarks of American Standard Inc.
© AS America, Inc. 2010